

|   |  |   |  |          |
|---|--|---|--|----------|
|  | <b>E</b> QUIPAGGIAMENTI<br><b>T</b> ECNICI<br><b>L</b> AVAGGIO | <b>UGELLO ROTANTE UR32</b><br><b>ROTATING NOZZLE UR32</b> |  | <b>4</b> |
|   |  |   | 29/09/05   |          |

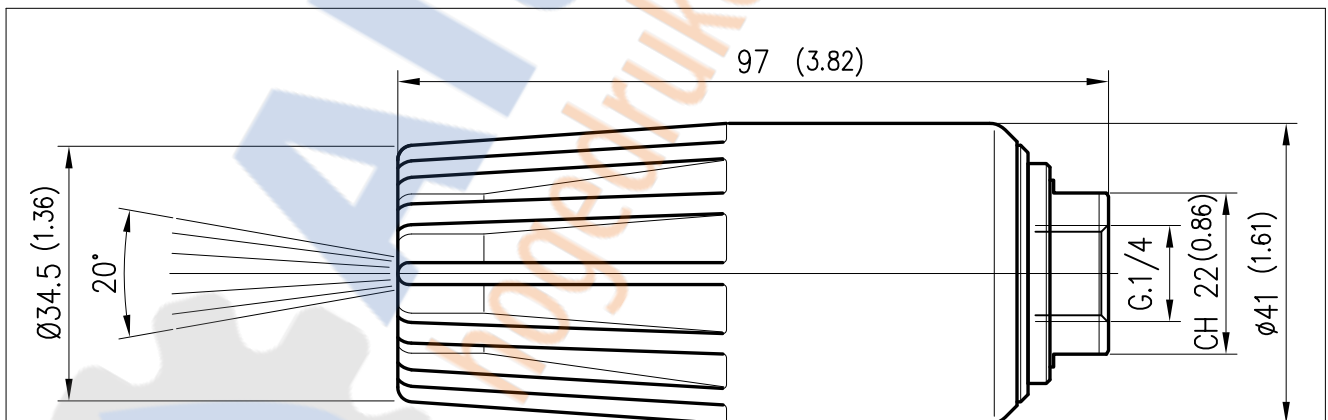
PATENT PENDING

- ROBUSTA COSTRUZIONE IN OTTONE  
*STRONG BRASS STRUCTURE*
- SEDE E UGELLO IN CERAMICA AD ALTISSIMA RESISTENZA  
*HIGHLY SHOCK-RESISTANT CERAMIC SEAT AND NOZZLE*
- ALTO ASSORBIMENTO DEGLI URTI ACCIDENTALI GRAZIE ALLA PROTEZIONE IN PLASTICA 'ROSSA'  
*HIGH ABSORPTION OF ACCIDENTAL KNOCKS THANKS TO THE 'RED' PLASTIC PROTECTION*
- UTILIZZABILE IN OGNI POSIZIONE GRAZIE AL SISTEMA CON MOLLA INTERNA CHE ELIMINA I GIOCHI TRA SEDE E UGELLO.  
*CAN BE USED IN ANY POSITION THANKS TO THE SYSTEM EQUIPPED WITH INTERNAL SPRING ELIMINATING THE CLEARANCE BETWEEN SEAT AND NOZZLE.*

### SPECIFICHE TECNICHE - SPECIFICATIONS

|  |  |
|--|--|
| - PRESSIONE NOMINALE<br><i>RATED PRESSURE</i>                    | 350 bar - 35 MPa (5100 psi)  |
| - PRESSIONE MINIMA DI UTILIZZO<br><i>MIN. OPERATING PRESSURE</i> | 180 bar - 18 MPa (2600 psi)  |
| - PORTATA MINIMA<br><i>MIN. FLOW</i>                             | 9.1 L/min (2.4 USGp.m.) 180 bar - 18 MPa (2600 psi) ugello (nozzle) 03 |
| - PORTATA MASSIMA<br><i>MAX FLOW</i>                             | 34 L/min (9 USGp.m.) 350 bar - 35 MPa (5100 psi) ugello (nozzle) 08    |
| - TEMPERATURA MINIMA<br><i>MIN. WORKING TEMPERATURE</i>          | 5° C (41°F)  |
| - TEMPERATURA MASSIMA<br><i>MAX WORKING TEMPERATURE</i>          | 100° C (212 °F)  |
| - PESO<br><i>WEIGHT</i>  | 0.41 Kg (14.46 oz)   |

### MISURE D'INGOMBRO - OVERALL DIMENSIONS

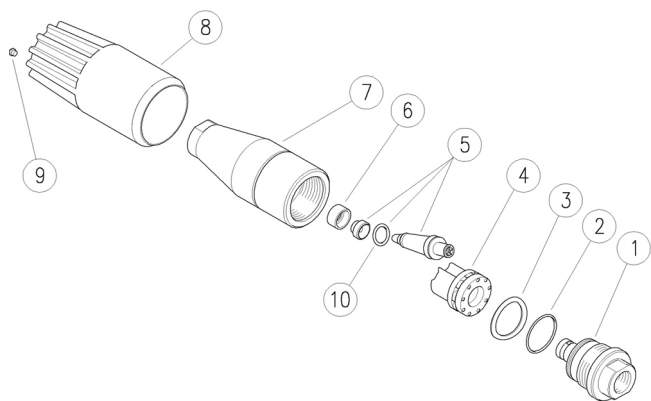


| CODICE<br><i>CODE</i> | FATTORE DI PORTATA<br><i>CAPACITY SIZE</i> |
|-----------------------|--|
| 25.1690.30            | 03   |
| 25.1690.35            | 035  |
| 25.1690.40            | 04   |
| 25.1690.45            | 045  |
| 25.1690.50            | 05   |

| CODICE<br><i>CODE</i> | FATTORE DI PORTATA<br><i>CAPACITY SIZE</i> |
|-----------------------|--|
| 25.1690.55            | 055  |
| 25.1690.60            | 06   |
| 25.1690.65            | 065  |
| 25.1690.70            | 07   |
| 25.1690.80            | 08   |

25.1690.30 UR32-03 Ug.rot.350bar, bianco  
 25.1690.35 UR32-035 Ug.rot.350bar, marr.  
 25.1690.40 UR32-04 Ug.rot.350bar, giallo sc.  
 25.1690.45 UR32-045 Ug.rot.350bar, blu  
 25.1690.50 UR32-05 Ug.rot.350bar, viola ch.

25.1690.55 UR32-055 Ug.rot.350bar, rosso sc.  
 25.1690.60 UR32-06 Ug.rot.350bar, ver.sc.  
 25.1690.65 UR32-065 Ug.rot.350bar, cel.  
 25.1690.70 UR32-07 Ug.rot.350bar, arancio  
 25.1690.80 UR32-08 Ug.rot.350bar, argento



| Pos. | Codice     | Descrizione                           | Q.tà | K1 | K2 | K3 | K4 |    |
|------|------------|---------------------------------------|------|----|----|----|----|----|
| 1    | 25.1634.31 | Raccordo G1/4F (1)                    | 1    |    |    |    |    | 3  |
| 1    | 25.1645.31 | Raccordo G1/4F (2)                    | 1    |    |    |    |    | 3  |
| 1    | 25.1636.31 | Raccordo G1/4F (3)                    | 1    |    |    |    |    | 3  |
| 1    | 25.1646.31 | Raccordo G1/4F (4)                    | 1    |    |    |    |    | 3  |
| 1    | 25.1647.31 | Raccordo G1/4F (5)                    | 1    |    |    |    |    | 3  |
| 1    | 25.1661.31 | Raccordo G1/4F (6)                    | 1    |    |    |    |    | 3  |
| 1    | 25.1695.31 | Raccordo G1/4F (7)                    | 1    |    |    |    |    | 3  |
| 1    | 25.1692.31 | Raccordo G1/4F (8)                    | 1    |    |    |    |    | 3  |
| 1    | 25.1693.31 | Raccordo G1/4F (9)                    | 1    |    |    |    |    | 3  |
| 1    | 25.1694.31 | Raccordo G1/4F (10)                   | 1    |    |    |    |    | 3  |
| 2    | 10.3072.01 | An.OR 1,78x20,35 mm Ni 85             | 1    |    |    |    |    | 10 |
| 3    | 25.1626.63 | Rosetta 14,8x23x0,1mm inox            | 1    |    |    |    |    | 5  |
| 4    | 25.1631.22 | Turbina                               | 1    |    |    |    |    | 3  |
| 5    | 25.1659.24 | Kit ric. UR16.025/UR25-32.03 (1)      | 1    |    |    |    |    | 1  |
| 5    | 25.1660.24 | Kit ric. UR16.03/UR25-32.035 (2)      | 1    |    |    |    |    | 1  |
| 5    | 25.1633.24 | Kit ric. UR16.035/UR25.04/UR32.04 (3) | 1    |    |    |    |    | 1  |
| 5    | 25.1637.24 | Kit ric. UR16.04-045/UR25-32.045 (4)  | 1    |    |    |    |    | 1  |
| 5    | 25.1638.24 | Kit ric. UR16-25-32.05 (5)            | 1    |    |    |    |    | 1  |
| 5    | 25.1668.24 | Kit ric. UR16-25-32.055 (6)           | 1    |    |    |    |    | 1  |
| 5    | 25.1639.24 | Kit ric. UR16-25-32.06 (7)            | 1    |    |    |    |    | 1  |
| 5    | 25.1640.24 | Kit ric. UR16-25-32.065 (8)           | 1    |    |    |    |    | 1  |
| 5    | 25.1641.24 | Kit ric. UR16-25-32.07 (9)            | 1    |    |    |    |    | 1  |
| 5    | 25.1669.24 | Kit ric. UR16-25-32.08 (10)           | 1    |    |    |    |    | 1  |
| 6    | 25.1624.85 | Guarn. 7,2x12x6 mm PTFE               | 1    |    |    |    |    | 10 |
| 7    | 25.1622.31 | Corpo UR25                            | 1    |    |    |    |    | 3  |
| 8    | 25.1691.85 | Manopola UR32 rossa                   | 1    |    |    |    |    | 3  |
| 9    | 15.2000.40 | Chiodo 04 giallo scuro (3)            | 1    |    |    |    |    | 10 |
| 10   | 10.3230.00 | An or 3,53 x 7,52 mm Ni 70            | 2    |    |    |    |    | 10 |

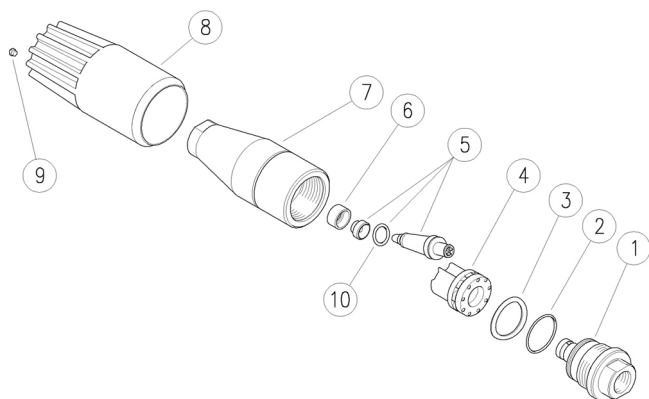
(1) 25.1690.30 (2) 25.1690.35 (3) 25.1690.40 (4) 25.1690.45 (5) 25.1690.50  
 (6) 25.1690.55 (7) 25.1690.60 (8) 25.1690.65 (9) 25.1690.70 (10) 25.1690.80



Altec  
 hagedrukcom

- 25.1690.30 UR32-03 Rotat.nzl,350bar, white
- 25.1690.35 UR32-035 Rotat.nzl,350bar, brown
- 25.1690.40 UR32-04 Rotat.nzl,350bar, d. yellow
- 25.1690.45 UR32-045 Rotat.nzl,350bar, blue
- 25.1690.50 UR32-05 Rotat.nzl,350bar, purple

- 25.1690.55 UR32-055 Rotat.nzl,350bar, d. red
- 25.1690.60 UR32-06 Rotat.nzl,350bar, green
- 25.1690.65 UR32-065 Rotat.nzl,350bar, l.blue
- 25.1690.70 UR32-07 Rotat.nzl,350bar, orange
- 25.1690.80 UR32-08 Rotat.nzl,350bar, silver



| Pos. | P/N        | Description                              | Q.ty | K1 | K2 | K3 | K4 |    |
|------|------------|--|------|----|----|----|----|----|
| 1    | 25.1634.31 | Coupling, 1/4 F Bsp (1)                  | 1    |    |    |    |    | 3  |
| 1    | 25.1645.31 | Coupling, 1/4 F Bsp (2)                  | 1    |    |    |    |    | 3  |
| 1    | 25.1636.31 | Coupling, 1/4 F Bsp (3)                  | 1    |    |    |    |    | 3  |
| 1    | 25.1646.31 | Coupling, 1/4 F Bsp (4)                  | 1    |    |    |    |    | 3  |
| 1    | 25.1647.31 | Coupling, 1/4 F Bsp (5)                  | 1    |    |    |    |    | 3  |
| 1    | 25.1661.31 | Coupling, 1/4 F Bsp (6)                  | 1    |    |    |    |    | 3  |
| 1    | 25.1695.31 | Coupling, 1/4 F Bsp (7)                  | 1    |    |    |    |    | 3  |
| 1    | 25.1692.31 | Coupling, 1/4 F Bsp (8)                  | 1    |    |    |    |    | 3  |
| 1    | 25.1693.31 | Coupling, 1/4 F Bsp (9)                  | 1    |    |    |    |    | 3  |
| 1    | 25.1694.31 | Coupling, 1/4 F Bsp (10)                 | 1    |    |    |    |    | 3  |
| 2    | 10.3072.01 | O-ring, 1,78x20,35 mm Ni 85              | 1    |    |    |    |    | 10 |
| 3    | 25.1626.63 | Washer, 14,8x23x0,1mm Sst.               | 1    |    |    |    |    | 5  |
| 4    | 25.1631.22 | Turbine                                  | 1    |    |    |    |    | 3  |
| 5    | 25.1659.24 | Spares kit -UR16.025/UR25-32.03 (1)      | 1    |    |    |    |    | 1  |
| 5    | 25.1660.24 | Spares kit -UR16.03/UR25-32.035 (2)      | 1    |    |    |    |    | 1  |
| 5    | 25.1633.24 | Spares kit -UR16.035/UR25.04/UR32.04 (3) | 1    |    |    |    |    | 1  |
| 5    | 25.1637.24 | Spares kit -UR16.04-045/UR25-32.045 (4)  | 1    |    |    |    |    | 1  |
| 5    | 25.1638.24 | Spares kit -UR16-25-32.05 (5)            | 1    |    |    |    |    | 1  |
| 5    | 25.1668.24 | Spares kit -UR16-25-32.055 (6)           | 1    |    |    |    |    | 1  |
| 5    | 25.1639.24 | Spares kit -UR16-25-32.06 (7)            | 1    |    |    |    |    | 1  |
| 5    | 25.1640.24 | Spares kit -UR16-25-32.065 (8)           | 1    |    |    |    |    | 1  |
| 5    | 25.1641.24 | Spares kit -UR16-25-32.07 (9)            | 1    |    |    |    |    | 1  |
| 5    | 25.1669.24 | Spares kit -UR16-25-32.08 (10)           | 1    |    |    |    |    | 1  |
| 6    | 25.1624.85 | Seal, 7,2x12x6 mm PTFE                   | 1    |    |    |    |    | 10 |
| 7    | 25.1622.31 | Housing -UR25                            | 1    |    |    |    |    | 3  |
| 8    | 25.1691.85 | Knob -UR32, red                          | 1    |    |    |    |    | 3  |
| 9    | 15.2000.40 | Stud, 04 dark yellow (3)                 | 1    |    |    |    |    | 10 |
| 10   | 10.3230.00 | O-Ring, 3,53x7,52 mm Ni 70               | 2    |    |    |    |    | 10 |

- (1) 25.1690.30 (2) 25.1690.35 (3) 25.1690.40 (4) 25.1690.45 (5) 25.1690.50  
 (6) 25.1690.55 (7) 25.1690.60 (8) 25.1690.65 (9) 25.1690.70 (10) 25.1690.80



**Altec Parts**  
hagedrukonderdelen & accessoires

**P.A. SpA EQUIPAGGIAMENTI TECNICI DEL LAVAGGIO**

Via Milano, 13 42048 Rubiera - (RE) ITALY

Tel +39 0522 623611 (ric aut) - Fax +39 0522 629600

*Info@pa-etl.it - www.pa-etl.it*

---

COMPANY WITH QUALITY MANAGEMENT  
SYSTEM CERTIFIED BY DNV

**= ISO 9001:2008 =**